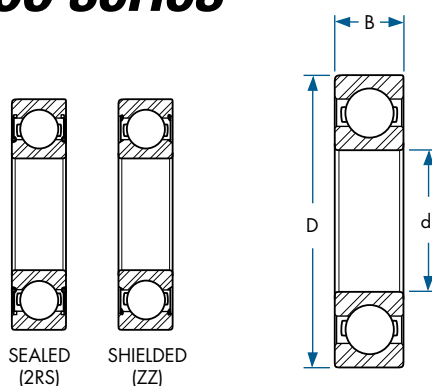


# Stainless 60/62/6300 series



Bearing Number	Dimensions (mm)			Load Rating (lbf)		Limiting Speed (RPM)	
				Dynamic	Static		
	d	D	B	Cr	Cor	2RS	ZZ
SS6000	10	26	8	824	352	21000	23250
SS6001	12	28	8	920	432	12750	20250
SS6002	15	32	9	1008	508	10500	17250
SS6003	17	35	10	1224	604	9000	15750
SS6004	20	42	12	1696	912	7500	12750
SS6005	25	47	12	1824	1056	6750	11250
SS6006	30	55	13	2376	1488	5625	9750
SS6007	35	62	14	2864	1856	4875	8250
SS6008	40	68	15	3008	2072	4350	7500
SS6009	45	75	16	3784	2720	3975	6900
SS6010	50	80	16	3928	2992	3600	6300
SS6200	10	30	9	920	432	12000	18000
SS6201	12	32	10	1224	552	11250	16500
SS6202	15	35	11	1376	680	9750	15000
SS6203	17	40	12	1720	864	9000	12750
SS6204	20	47	14	2304	1200	7275	11250
SS6205	25	52	15	2520	1416	6300	9750
SS6206	30	62	16	3512	2040	5250	8250
SS6207	35	72	17	4624	2776	4500	6900
SS6208	40	80	18	5240	3208	4050	6225
SS6209	45	85	19	5760	3656	3825	5775
SS6210	50	90	20	6320	4160	3450	5325
SS6300	10	35	11	1464	624	12000	16500
SS6301	12	37	12	1752	760	11250	15000
SS6302	15	42	13	2056	984	9000	12750
SS6303	17	47	14	2448	1176	7500	11250
SS6304	20	52	15	2864	1416	7125	10500
SS6305	25	62	17	3800	1968	5625	8250
SS6306	30	72	19	5360	3040	4800	7200
SS6307	35	80	21	6008	3440	4275	6375
SS6308	40	90	23	7320	4320	3825	5775
SS6309	45	100	25	9520	5760	3375	5100
SS6310	50	110	27	11120	6896	3075	4575